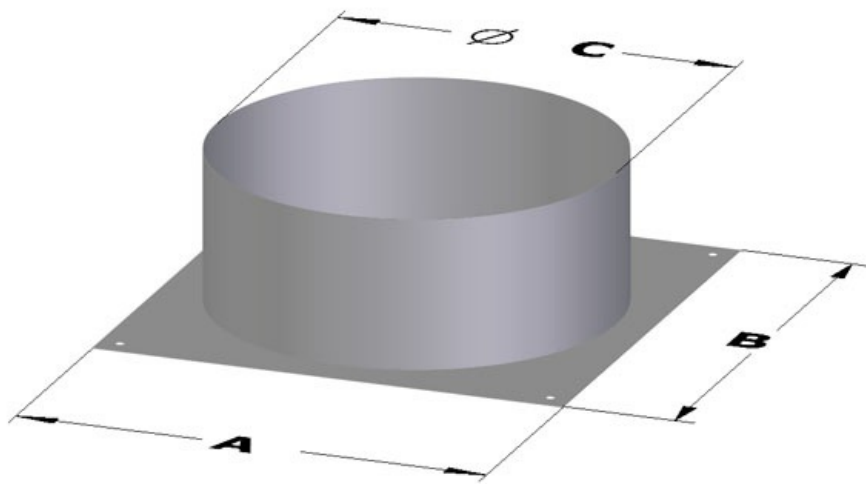




METALTECNICA
Italian catering equipment

Exhaust hood



Flange to join ducts from square to round diam. 60 - cm 70x70
STAINLESS STEEL - FL60-70/70INOX

Dimension:

Length: 70.0 mm

Depth: 70.0 mm

Height: None mm

Weight: None kg

Volume: None mq

Packaging length: None mm

Packaging depth: None mm

Packaging height: None mm

Packaging weight: None kg

Packaging volume: None mq

Options:

Model:
FL20-30/30INOX - Flange to join ducts from square to round diam. 20 - cm 30x30 STAINLESS STEEL
FL25-35/35INOX - Flange to join ducts from square to round diam. 25 - cm 35x35 STAINLESS STEEL
FL30-40/40INOX - Flange to join ducts from square to round diam. 30 - cm 40x40 STAINLESS STEEL
FL35-45/45INOX - Flange to join ducts from square to round diam. 35 - cm 45x45 STAINLESS STEEL
FL40-50/50INOX - Flange to join ducts from square to round diam. 40 - cm 50x50 STAINLESS STEEL
FL50-60/60INOX - Flange to join ducts from square to round diam. 50 - cm 60x60 STAINLESS STEEL